

Foldaway Hand Rail

Thank you for purchasing this Croydex product. Please follow the fixing and care instructions to ensure your hand rail is fitted safely and retains its high quality finish.
Please retain this leaflet for future reference.

This installation guide applies to the following hand rails:

AP502822 - 850mm White Powder Coated Foldaway Hand Rail

AP502831 - 850mm Grey Powder Coated Foldaway Hand Rail

AP502834 - 850mm Blue Powder Coated Foldaway Hand Rail

AP502841 - 850mm Stainless Steel Powder Coated Foldaway Hand Rail

Tools required - not supplied

Pencil; Tape Measure; Screwdriver appropriate to fixings; Spirit level; Drill; Masonry drill bit appropriate to fixings, Ceramic drill bit (optional) appropriate to fixings.

KEEP DIY TOOLS OUT OF THE REACH OF CHILDREN

Note: Please ensure suitable fixings are purchased that are compatible with wall construction materials.

Home Safety Advice

- It is recommended that two people fit this product to ensure that it is fitted safely.
- Always take care when using power tools, particularly in the bathroom.
- Always check for hidden cables and pipework before drilling and take extreme care if there is any water in the working area.
- It is advisable to use a residual current circuit breaker (RCCB).
- Always wear suitable eye protection when drilling.
- If the product is to be fitted on a ceramic tiled wall, a ceramic drill bit should be used.
- Always ensure that the drill hole passes through the central tiled area rather than through the grouted area. To prevent damage to the tile, mask the area around the hole with tape before drilling.
- Do not strike the product with hard or sharp objects.

Product Care

To retain the best quality finish, clean product regularly with a soft damp cloth.
Do not use abrasive or chemical cleaners as these will damage the product.

Product Location

Hand rails are only as strong as the wall to which they are fixed and the fixings that are used.
For different wall types you will need to ensure that you are using the correct type of fixing for the material of the wall.

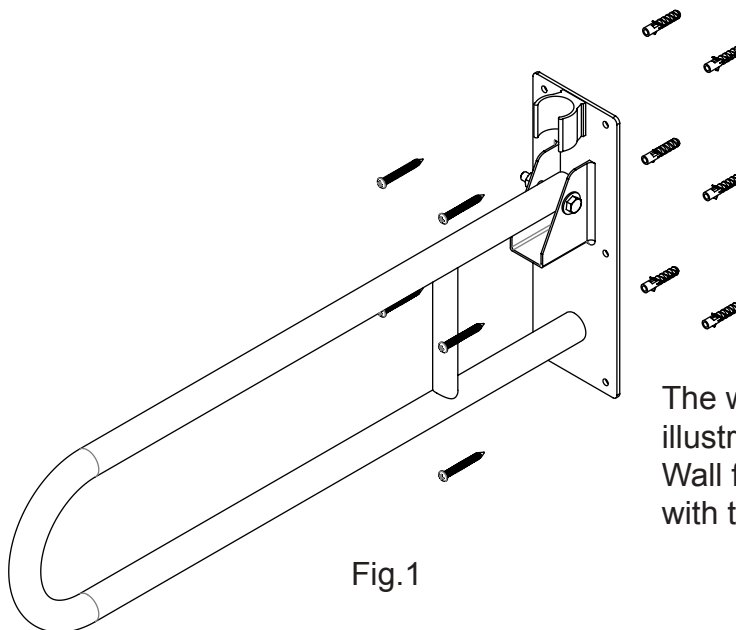
The addition of backboards on the outside of the wall or appropriate strengthening of internal structures may be required to provide adequate wall strength.

NOTE: If the wall is made of lightweight thermal blocks, aerated hollow brickwork or prefabricated partitions even the most appropriate fixings may not be able to withstand the loads which can be suddenly applied to hand rails.

Fitting Instruction

1. Identify the most appropriate position for the foldaway hand rail ensuring the product is at a comfortable height and distance from the toilet pan.
2. The product can be folded upwards for more convenient storage so please ensure there is sufficient space above the fixing position to allow for this.
3. Place the hand rail in position on the wall and using the hole centres located on the wall bracket as a template, mark the screw fixing positions on the wall surface ensuring the product is level.
4. Drill the holes in the marked positions using a masonry drill. If the product is to be fitted onto a ceramic tiled wall, a ceramic drill bit should be used.
5. Insert wall plugs (if applicable) flush to the surface of the wall. If fitting to a tiled surface, the wall plugs should be inserted below the surface of the tile to avoid cracking (See Fig.1).
6. Insert the screws through the holes located on the wall bracket and screw to the wall.

IMPORTANT: Please take care to avoid trapping body parts when moving the rail between its stowed position and its in-use position.



The wall fixings are shown for illustrative purposes only. Wall fixings are not supplied with the product.

Additional Information

This product must only be fitted to solid brick, concrete block walls or similarly strong materials offering appropriate support for the maximum safe working load.

Maximum safe working load for the hand rail is 130kg.

For details of the other items in the Croydex range please visit our website: www.croydex.com

Croydex, Central Way, Andover, Hants, SP10 5AW, UK

Tel: +44 (0) 1264 365881

Fax: +44 (0) 1264 356437

Email: info@croydex.co.uk